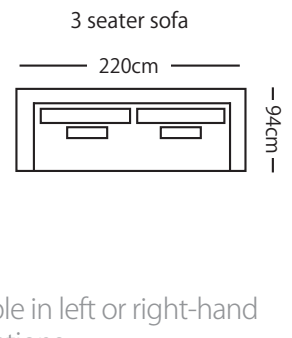
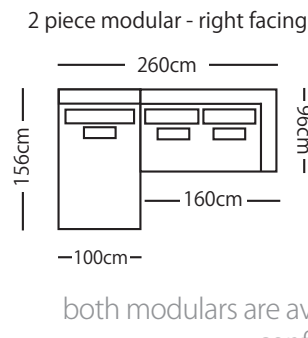
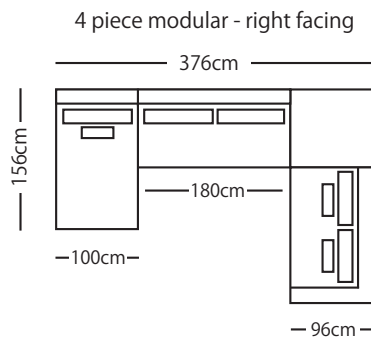
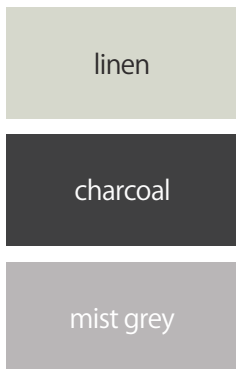


SAXTON UPHOLSTERED COLLECTION



both modulars are available in left or right-hand configurations

CODE	PRODUCT DESCRIPTION	DIMENSIONS	CUSHION/FABRIC	FRAME	RRP
LOU207	4-piece modular (2.5 seater, 3 seater, chaise and ottoman)	L376xD256x156xH64cm	Seat: Non-allergenic dacron-filled cushions (high elastic sponge)	Solid timber frame	charcoal \$3,480 linen \$3,480 mist grey \$3,480
LOU106b	2-piece modular, (2.5 seater and chaise)	L260xD156x96xH64cm	Back: Non-allergenic dacron-filled cushions (high soft sponge)	Steel pocket springs with high density foam surround for comfort	charcoal \$1,990 linen \$1,990 mist grey \$1,990
LOU031	3 seater sofa	L220xD94xH64cm	Fabric: 30% linen 70% cotton martindale 25000	Solid timber legst	all fabrics \$1,495

PRODUCT CARE Covers are removable for DRY CLEAN ONLY.

PREVENTATIVE & REGULAR TREATMENT A light weekly vacuum with the brush attachment will prevent a build up of dust in the fibres. Treat spills and stains immediately with a damp cloth. Papaya recommends using a qualified fabric protection service to apply a chemical fabric protection such as Scotchgard. For indoor use only.