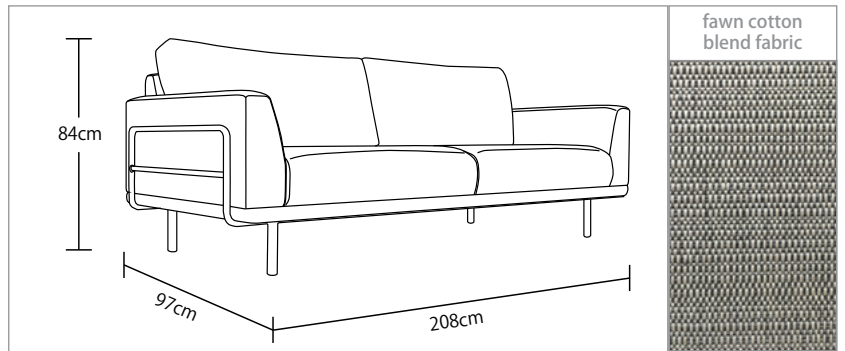


EUGENE THREE SEATER SOFA



high density foam and duck feather cushions for additional comfort and style



CODE	PRODUCT DESCRIPTION	DIMENSION	CUSHION/FABRIC	FRAME	RRP
LOU103f	Eugene three seater sofa - fawn	W208xD97xH84cm	Seat: high-density foam topped with duck feather and fibre mix Back: duck feather mixed with ball-fibre wrapped in down-proof cambric and divided internally in channels to keep feathering even Fabric: 30% cotton / 70% polyester 35,000 martindale rubs	Solid timber frame surrounded by a foam & fibre mix Nozag springs for added comfort and longevity Black metal external frame and legs	\$2,995

PRODUCT CARE: Fixed frame cover. Removable back cushion covers for DRY CLEAN ONLY (strict limitation on amount of water, reduced mechanical action and low drying temperature)

PREVENTATIVE & REGULAR TREATMENT: A light weekly vacuum with the brush attachment will prevent a build up of dust in the fibres. Treat spills and stains immediately with a damp cloth. Papaya recommends using a qualified fabric protection service to apply a chemical fabric protection such as Scotchgard. For indoor use only.